

PP-010CL

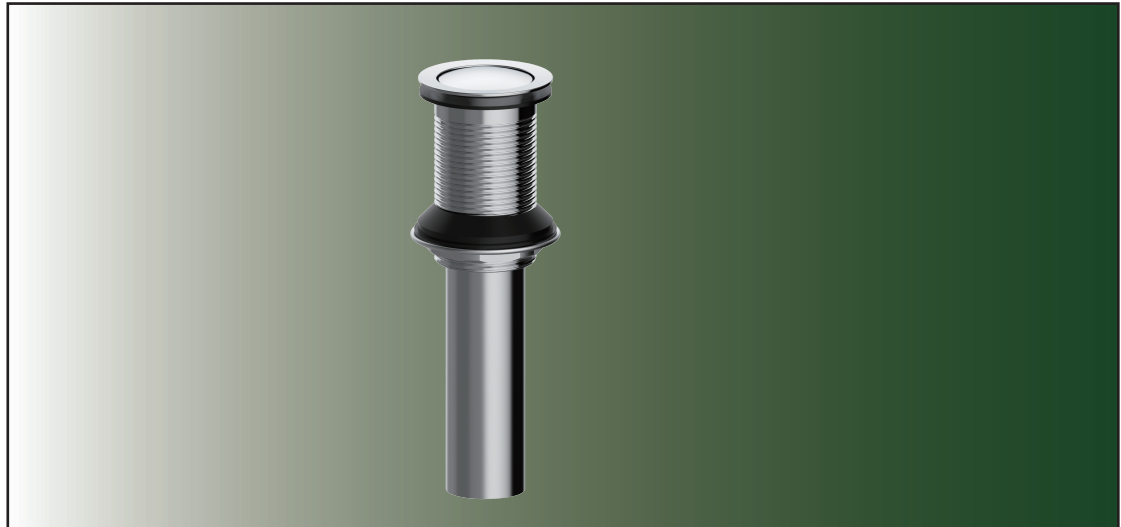
PP-010BNL

PP-010ORBL

PP-010MBL



METAL PUSH POP-UP



FEATURES & BENEFITS

- Less Overflow

Approvals:

Meets or Exceeds The Following:

- * ANSI/ASME A112.18.1/A112.18.1
- * IAPMO/cUPC

PP-010CL
Chrome Finish

PP-010BNL
Brushed Nickel Finish

PP-010ORBL
Oil Rubbed Bronze Finish

PP-010MBL
Matte Black Finish

Product Spec Sheet



TEL: 800-431-2082

FAX: 800-640-2252

Visit Our Web Site : www.matco-norca.com

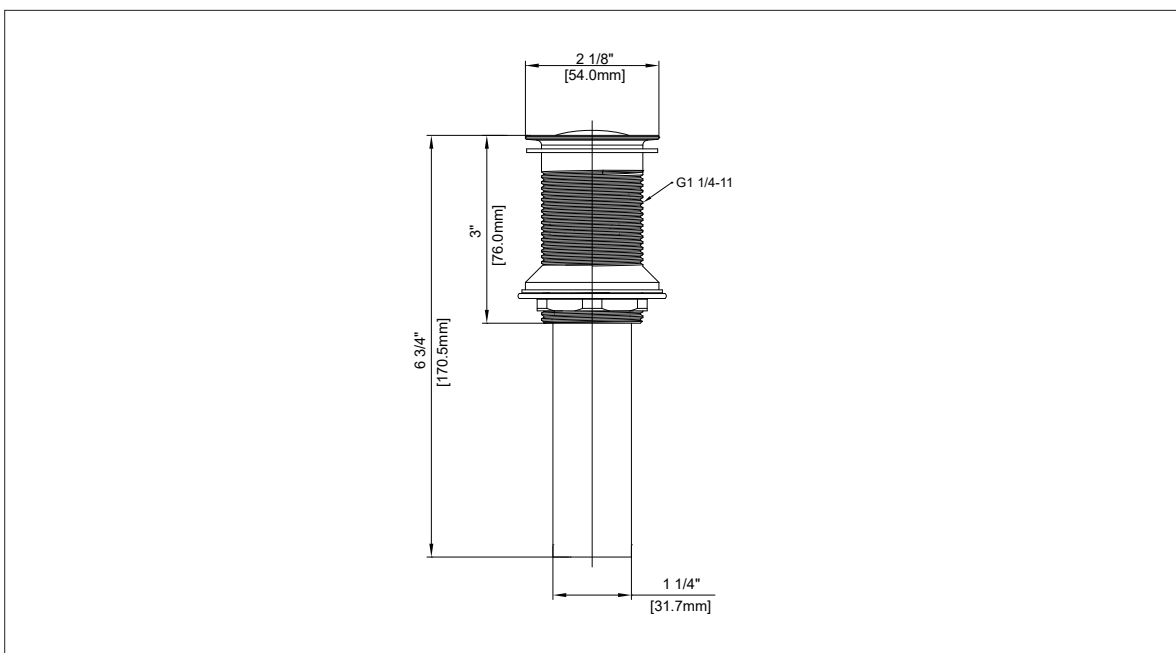
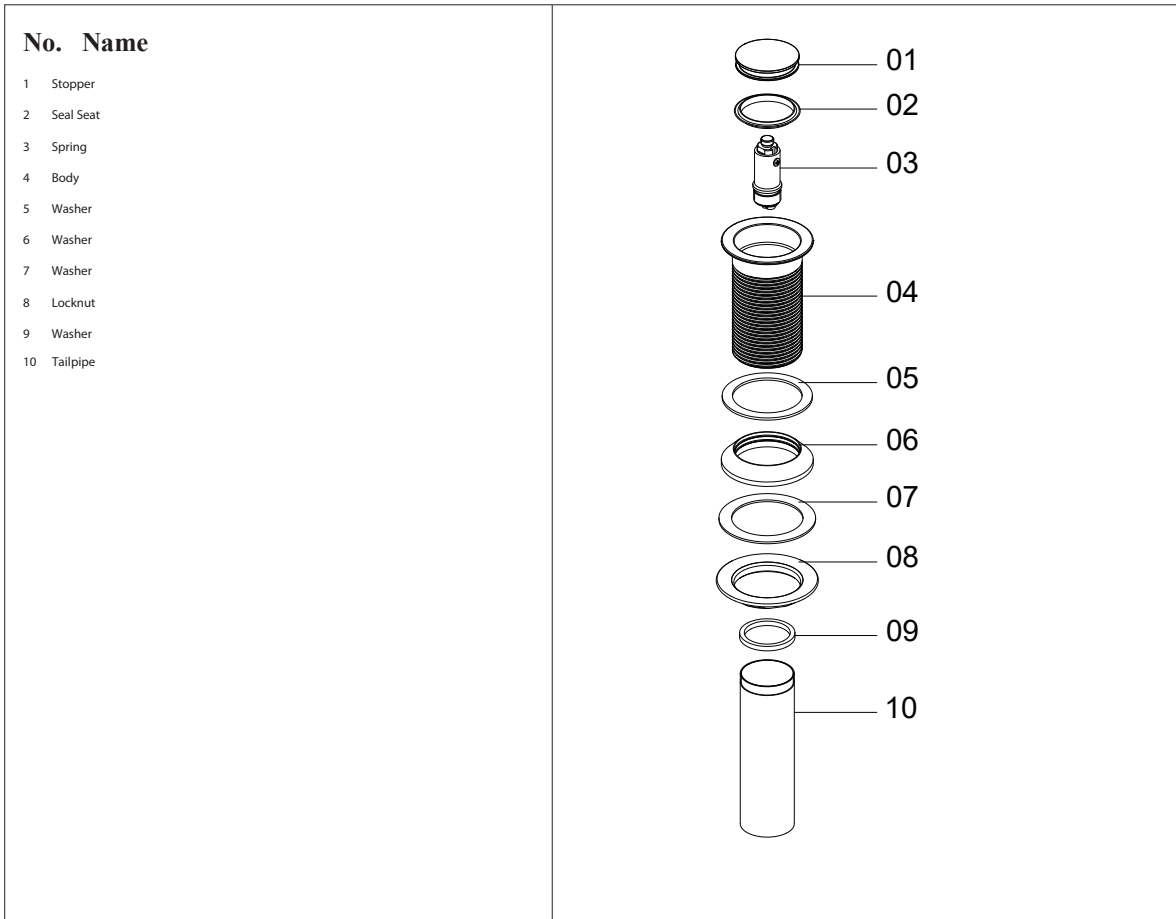
PP-010CL

PP-010BNL

PP-010ORBL

PP-010MBL

METAL PUSH POP-UP



Product Spec Sheet